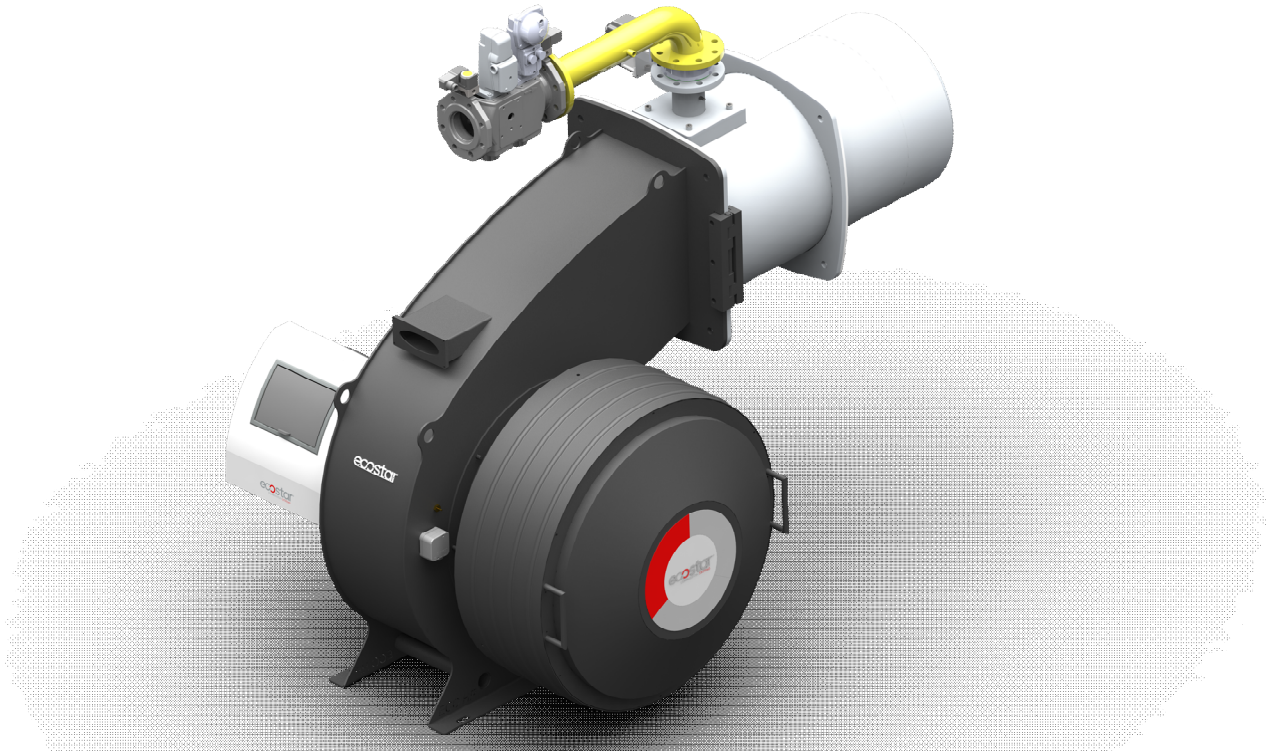


MONOBLOCK NG SERIES GAS BURNERS INSTALLATION, OPERATING AND MAINTENANCE MANUAL

MODULATING OPERATION



ECO 7000 HP
ECO 8000 HP
ECO 9000 HP
ECO 11000 HP
ECO 13000 HP
ECO 16000 HP
ECO 17000 HP
ECO 23000 HP
ECO 24000 HP



DEAR USER,

ECOSTAR ECO 7000 HP, ECO 8000 HP, ECO 9000 HP, ECO 11000 HP, ECO 13000 HP, ECO 16000 HP, ECO 17000 HP, ECO 23000 HP, ECO 24000 HP Gas burners are prepared and manufactured according to the latest technical developments and safety rules. It is easy to use for our customers.

We recommend that you read this manual and safety warnings thoroughly before the use of the device in order to ensure safe, cost effective and environmental-friendly use.

If you encounter any issue that is not explained clearly in this manual or you could not understand, please contact with our service department.

We thank you for choosing ECOSTAR brand.











This Operating Manual is an integral part of the burner and must be maintained in a plastic dossier and hung at a clearly visible place in the burner room.

CONTENTS

1. WARNINGS.....	3
1.1. Warning Symbols and Descriptions.....	3
1.2. General Safety Rules.....	4
2. TERMS OF WARRANTY	6
2.1. Out of Warranty Conditions	6
3. BURNER'S GENERAL FEATURES.....	7
3.1. Purpose of Use and Work Limits of Burners	7
3.2. Code Key.....	7
3.3. Burner Components	8
4. GAS, FLUE GAS AND HEATING WATER SCHEMA	18
5. TECHNICAL DATA.....	19
5.1. Capacity Table.....	19
5.2. Back Pressure and Gas Line Selection Table.....	20
5.3. Burner Dimensions	23
5.4. Gas Hood Pressure Loss Diagram	24
5.5. Flame Length and Diameter	26
6. INSTALLATION	27
6.1. Burner Installation Picture.....	27
7. COMMISSIONING.....	29
7.1. Before Commissioning.....	29
7.2. General Controls.....	29
7.3. Combustion Adjustment.....	30
7.3.1. Gas Adjustment.....	30
7.3.1.1. VGD 40... Series Gas Valve.....	30
7.4. Air pressure switch adjustment.....	30
7.5. Photocell.....	30
7.6. BT 300.....	31
7.6.1. Operating Control and Displays.....	32
7.6.2. Menu Functions.....	33
7.6.3. BT300 Connecting Diagram.....	34
7.7. Leakage Test for Main Gas Valves.....	35
7.8. Servomotors.....	37
7.9. Function Controls and Adjustments.....	38
7.10. Final Checks.....	38
7.11. Pilot Ignition System.....	39
7.12. Emission Measurement.....	39
7.13. Gas Pass Equipment Required in Gas Line	40
8. MAINTENANCE	41
8.1. Monthly Maintenance	41
8.2. Seasonal Maintenance.....	41
9. FAULT HISTORY.....	42
10. PERIODICAL FLUE GAS MEASUREMENT REPORT.....	43
11. AFTER-SALES SERVICES	44
For your suggestions, complaints and service requests.....	44
12. NOTES	45

1. WARNINGS

1.1. Warning Symbols and Descriptions

Symbols	Symbol Descriptions
	Important information and useful hints.
	Warning of danger to life or property.
	Warning of electrical voltage.
	Product handling information.
 <p data-bbox="320 1111 539 1182">CLEAN THE GAS BURNER. CLEAN GAS LINE. ЧИСТАЯ ЛИНИЯ ГАЗ.</p>	"Clean the gas line" warning on gas line.
	Electric motor direction of rotation
   	Carry in an upright position. Fragile Item. Protect against water.

1.2. General Safety Rules

- All personnel engaged in installation, disassembly, commissioning, operation, control, maintenance and repair should have received the necessary training, qualified and fully read and understood this manual.
- No changes that might damage the safety of the burner unit must be made by persons and/or organizations on the burner unit.
- All operation, commissioning and installation works (except for burning adjustment) should be carried out when the burner is not operating and after disconnecting the power supply. Noncompliance with these rules may lead to serious bodily injuries and even death by electrical shocks or uncontrolled flame formation.
- Repairs concerned with safety elements should be carried out only by the manufacturing company.
- The device should never be used by children, mentally handicapped and inexperienced persons.
- Children must not be allowed to play with the device.
- Keep the device away from explosive and flammable materials.
- Device must intake air, ventilation and air discharge holes must not be closed.



If you sense gas leakage;

- Shut down valves of all gas devices.
- Open all doors and windows.
- Do not turn on electric devices or do not turn them off if they are working.
- Do not use burner derived tools such as match and lighter.
- Inform the gas company.



Do not store any inflammable materials in boiler room.



Wear hearing protectors if there is noise in boiler room.



In case of fire or other emergency;

- Switch off the main switch
- Close the main fuel shut-off valve outside the plant.
- Take appropriate actions



The burner installation must be carried out in accordance with the instructions. Vibration can damage the burner and its components.



Keep boiler doors closed while starting burner and during burner operation.



Check combustion values to be correct by using flue gas analyzer at the whole adjustment range between minimum, full load, and ignition load.



Use lifting device or belt for lifting fan motor, if necessary



During the first commissioning of the burner or in case of any revision carried out in the electrical system or motor cables by any reason, direction of the fan rotation must certainly be checked by the authorized technical service.



For products that have not been commissioned or started more than 6 months, before activating the servomotor;

In gas and air dampers, servomotor and air damper connections must be checked to ensure that they are free running in spite of immobility and oil freezing.



BURNER ROOM

Install the burner in a suitable room/floor with minimum external air openings and sufficient to ensure perfect combustion, in compliance with current regulations.

Never obstruct air openings of the burner room, burner fan intake vents or air ducts in order to prevent:

- a. The build up of toxic / explosive gas mixtures in the burner room,
- b. Combustion with insufficient air, resulting in hazardous, anti-economical and polluting operation.

The burner must be always protected from rain, snow and frost to prevent corrosion and paint deformations.

Keep the burner room clean and free of solid volatile substances, which could be sucked into the fan and clog the internal burner or combustion head air ducts.

2. TERMS OF WARRANTY

Main and auxiliary equipment and all components used in Ecostar gas burners are guaranteed for 1 year by TERMO ISI SİST. A.Ş starting from the date of commissioning under the maintenance, adjustment, operating conditions and relevant mechanic, chemical and thermal effects explained herein.



Please note that this warranty is only valid if the device(s) is commissioned and maintained by our authorized services.



Our company reserves the right to make any modifications on the product and all instructions thereof for improvement purposes.

2.1. Out of Warranty Conditions

- Any damage arising out of or in relation to customers' non-compliance to their responsibilities with regards to installation, commissioning, operation and maintenance,
- Any damage arising out of or in relation to commissioning, repairs and maintenance carried out by unauthorized services,
- Any damage that may occur during transportation or storage of the product,
- Not preserving the product in its original packaging until the installation stage,
- Incorrect and poor electrical connections, Failures due to incorrect voltage applications, frequent repetition of voltage fluctuations,
- Any damage that may occur as a result of incorrect fuel usage or, foreign substances in the fuel used or using of the product without any fuel,
- Any damage that may occur due to foreign particles entered into the product during installation and operation,
- Failures due to incorrect device selection,
- Any damage to unit due to natural disasters,
- Devices without any warranty certificates,
- Warranty Certificates without the stamp and signature of the authorized dealer or service,
- Devices with any falsification on the warranty certificate or without an original serial number.
- The risks during transportation of device under the responsibility of customer belong to the customer.
- Presence of misuse faults are indicated in the reports issued by authorized service stations or our authorized agent, dealer, representative or our factory in case of unavailability of authorized service stations.
- Customers may apply consumer protection arbitrator committee with regards to this report and request for an expert report.

3. BURNER'S GENERAL FEATURES

ECOSTAR gas burners are manufactured such that they operate in gas pressure of min. 20 mbar and max. 300 mbar. at 15%...+10% of nominal voltage, between the ambient temperature range of -15°C...+60°C and declared capacity and boiler pressure ranges with Natural Gas and Liquid Petrol Gas.

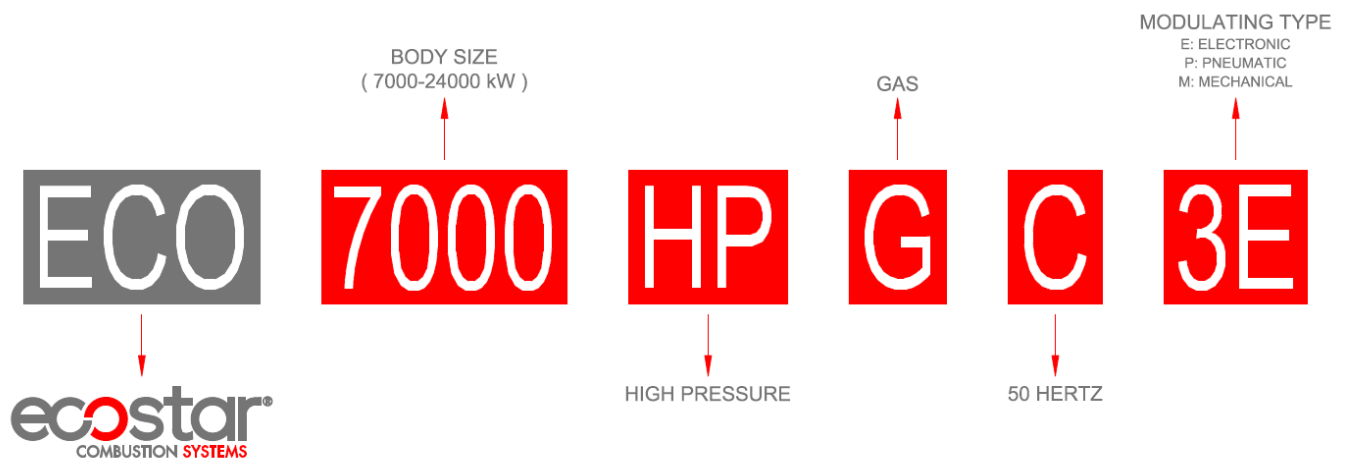
3.1. Purpose of Use and Work Limits of Burners

- This product works at any load value equivalent to its max. capacity or covered by its capacity range;
 - In hot water and steam boilers,
 - In direct and indirect hot air generators,
 - Industrial appliances operating at temperature below 600 °C,
 - -15 °C...+60 °C ambient temperature range,
 - 1N 230 VAC/3N 380VAC /50 Hz feed voltage (-%15...+%10) values,
 - Max. 95% relative humidity,
 - In well-ventilated open and closed spaces compatible with protection class IP 40.
 - Operation with Natural gas and LPG.



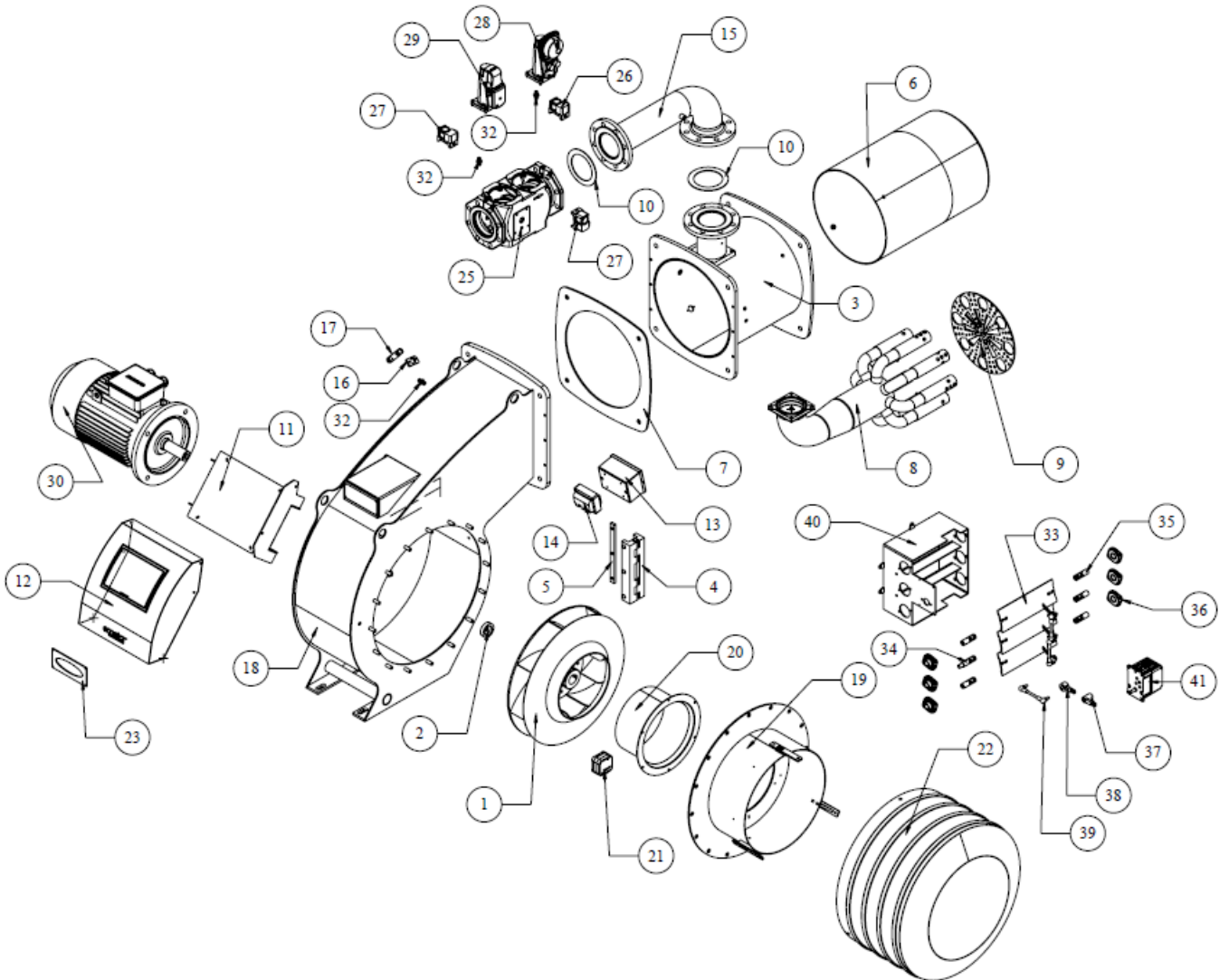
This device must never be operated with open flame!

3.2. Code Key



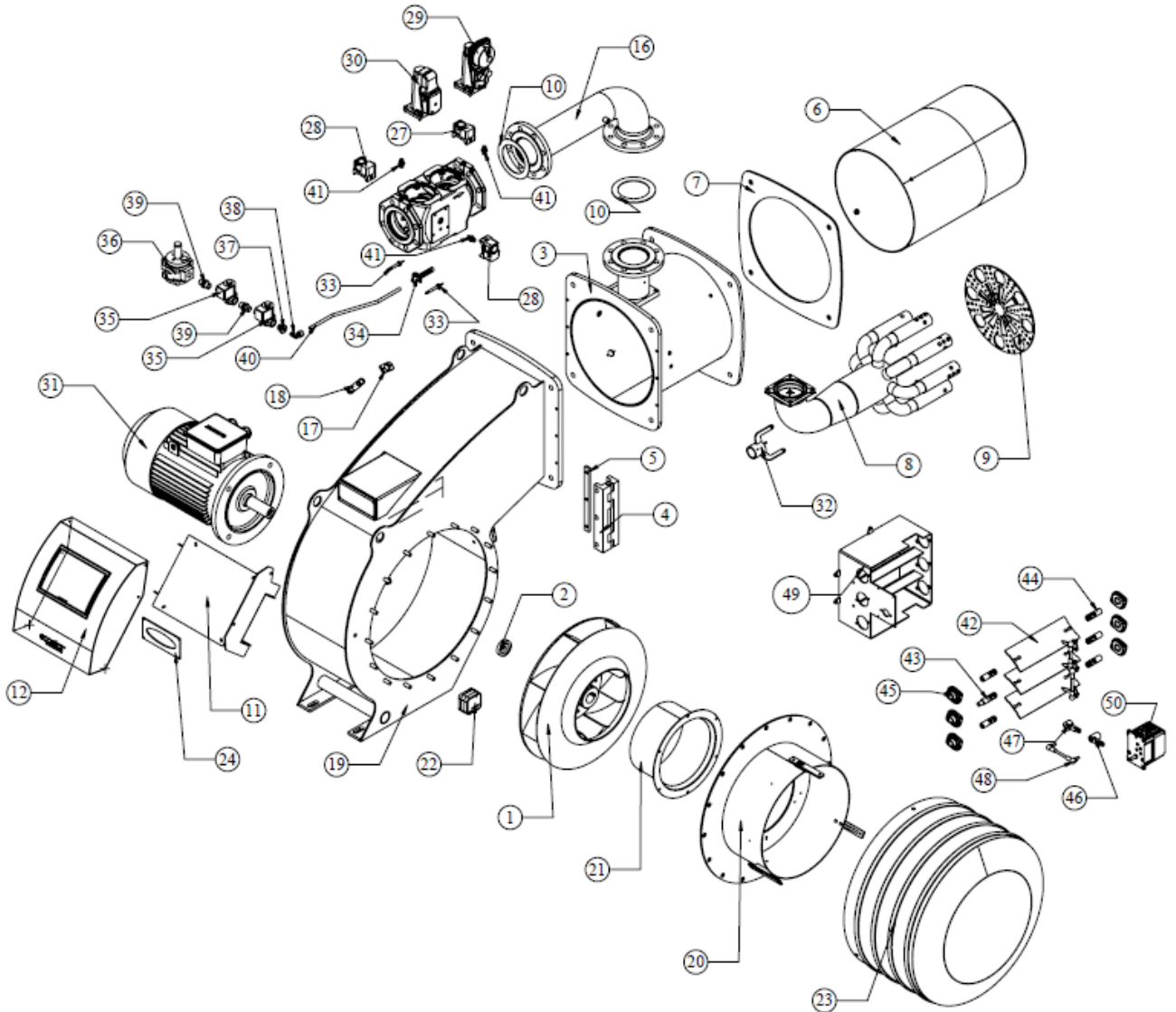
3.3. Burner Components

ECO 7000 HP



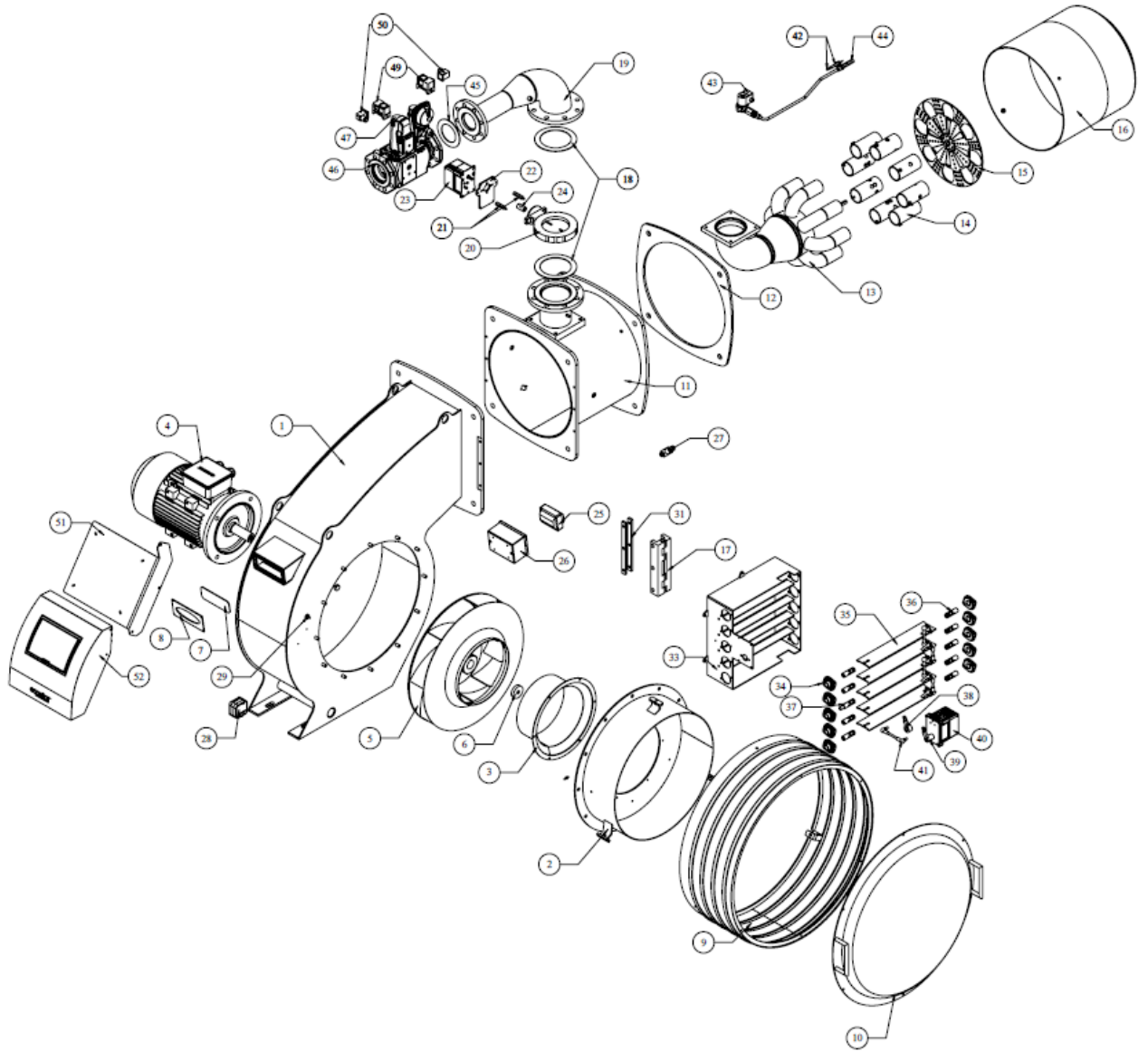
ASSEMBLY NO.	DESCRIPTION
1	FAN
2	FAN FIXING PLATE
3	COMBUSTION HEAD
4	HINGE
5	HINGE SHEET
6	FLAME PIPE
7	GASKET
8	GAS HEAD
9	TURBULATOR
10	KLINGRITE GASKET
11	PANEL CONNECTION SHEET
12	SHEET PANEL
13	TRANSFORMER BOX
14	IGNITION TRANSFORMER
15	GAS WAY PIPE
16	PHOTOCELL CONNECTION PALTE
17	PHOTOCELL
18	BODY
19	AIR CAGE CONNECTION FLANGE
20	AIR SUCTION FUNNEL
21	AIR SWITCH
22	SILENCER
23	OBSERVATION GLASS FRAME
24	OBSERVATION GLASS
25	GAS VALVE
26	AIR SWITCH
27	AIR SWITCH
28	ACTUATOR
29	ACTUATOR
30	MOTOR
33	AIR DAMPER
34	SERVOMOTOR MOVEMENT ARM
35	DAMPER MOVEMENT SAHFT
36	BEARING
37	COUPLIN
38	MOVEMENT SHAFT COUPLIN
39	MAFSAL
40	AIR CAGE
41	SERVOMOTOR

ECO 8000 HP



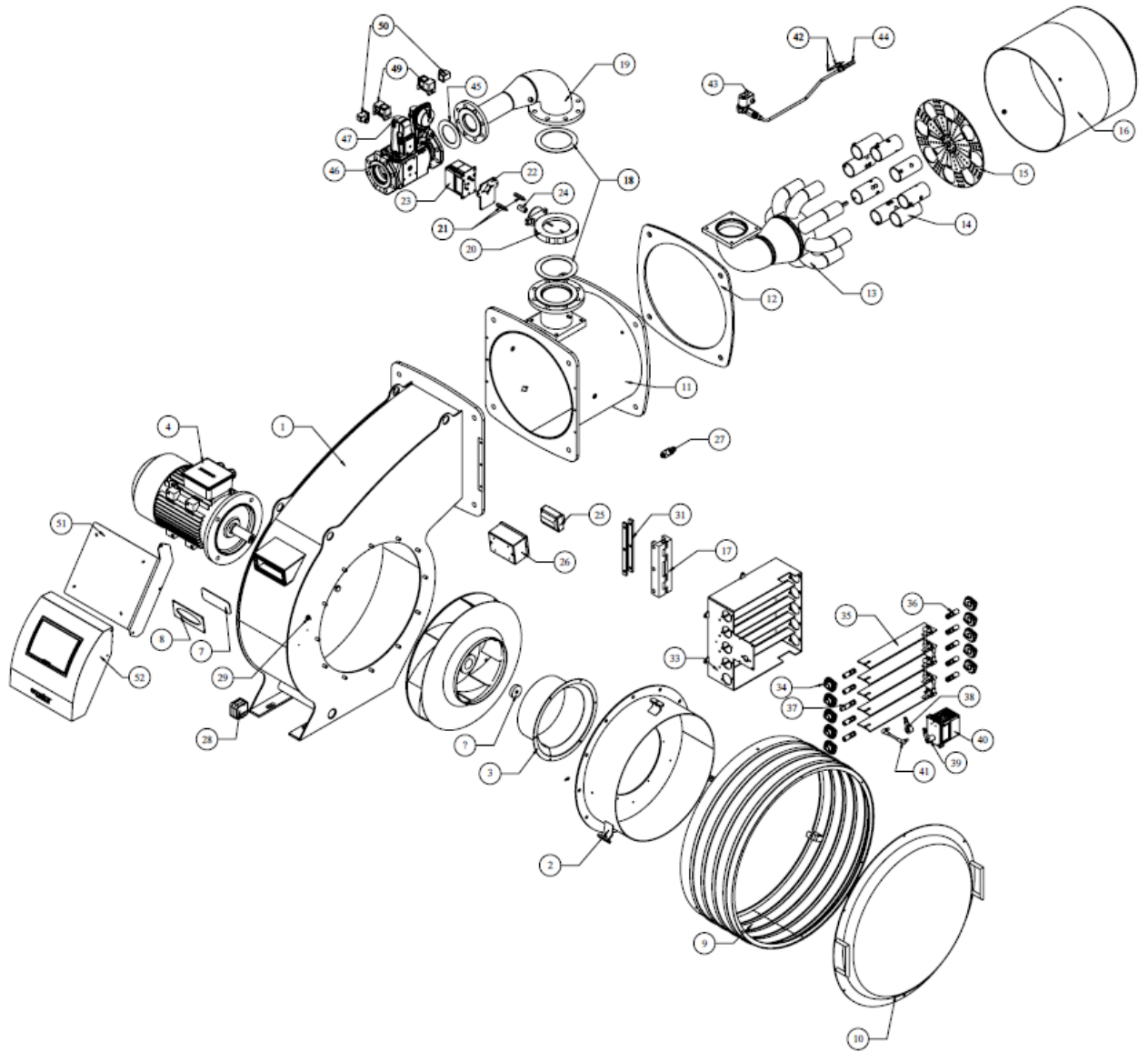
ASSEMBLY NO.	DESCRIPTION
1	FAN
2	FAN FIXING PLATE
3	COMBUSTION HEAD
4	HINGE
5	HINGE SHEET
6	FLAME PIPE
7	GASKET
8	GAS HEAD
9	TURBULATOR
10	KLINGRITE GASKET
11	ELECTRICAL PANEL MOUNTING PLATE
12	SHEET PANEL
13	TRANSFORMER BOX
14	TRANSFORMER
15	TICKET
16	GAS PIPE
17	PHOTOCELL CONNECTION PLATE
18	PHOTOCELL
19	BODY
20	AIR CAGE CONNECTION FLANGE
21	AIR SUCTION FUNNEL
22	GAS SWITCH
23	SILENCER
24	OBSERVATION GLASS FRAME
25	OBSERVATION GLASS
26	VALVE
27	GAS SWITCH
28	GAS SWITCH
29	ACTUATOR
30	GAS SWITCH
31	MOTOR
32	TURBULATOR CENTER PART
33	IGNITION ELECTRODE
34	TURBULATOR
35	VALVE
36	REGULATOR
42	AIR DAMPER
43	DAMPER MOVEMENT ARM
44	DAMPER MOVEMENT SHAFT
45	BEARING
46	COUPLIN
47	MOVEMENT SHAFT COUPLIN
48	MAFSAL
49	AIR CAGE
50	SERVOMOTOR

ECO 9000 HP



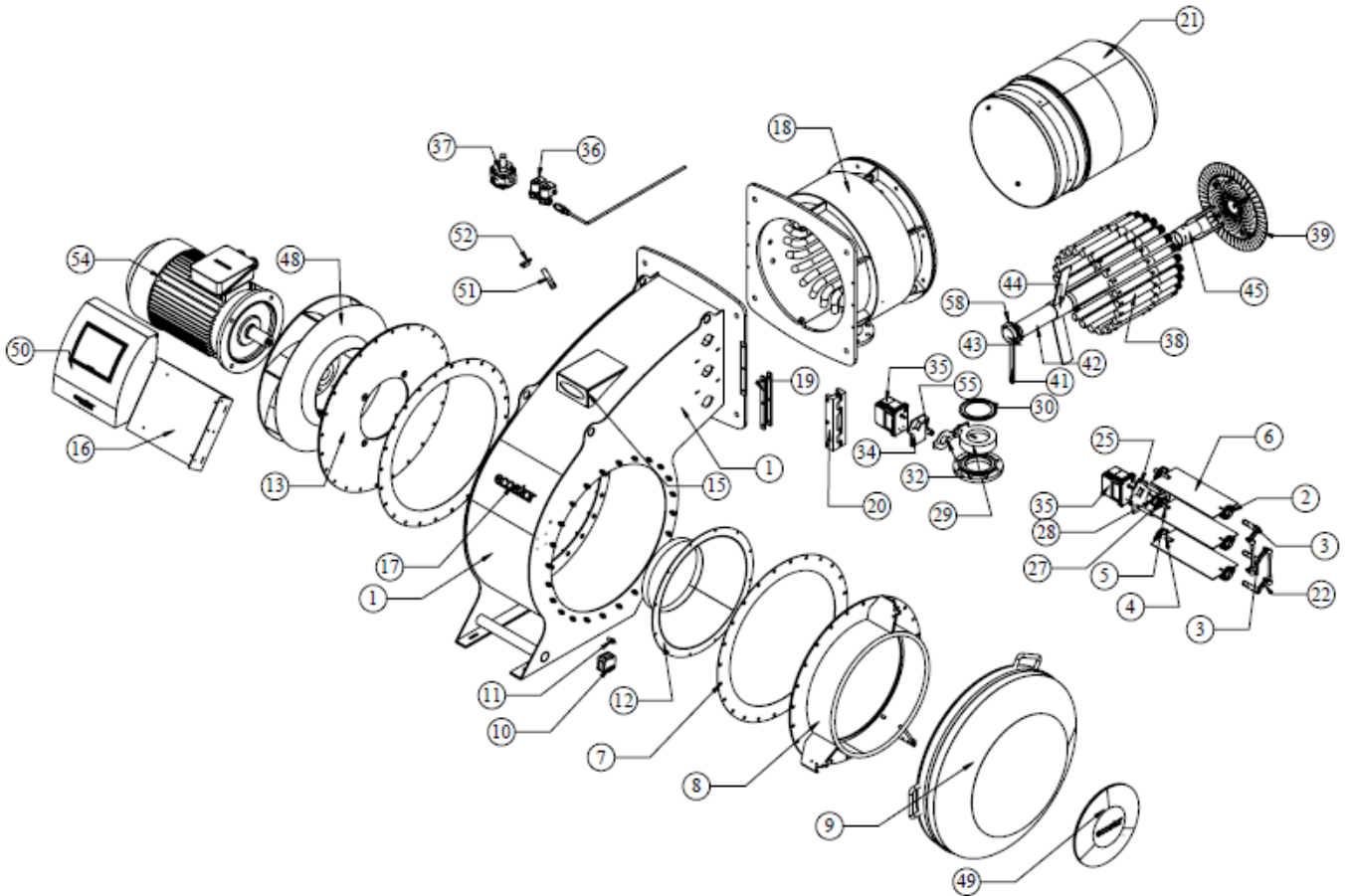
ASEMBLY NO.	DESCRIPTION
1	BODY
2	AIR DAMPER MOUNTING FLANGE
3	AIR INLER CONE
4	MOTOR
5	FAN
6	FAN CONNECTION WASHER
7	OBSERVATION GLASS
8	OBSERVATION GLASS PLATE
9	SILENCER
10	SILENCER COVER
11	COMBUSTION HEAD
12	GASKET
13	GAS HEAD
14	GAS NOZZLE
15	TURBULATOR
16	FLAME PIPE
17	HINGE
18	KLINGRITE GASKET
19	GAS INLET PIPE
20	BUTTERFLY VALVE
21	SERVOMOTOR CONNECTION SHAFT
22	SERVOMOTOR CONNECTION SHEET
23	SERVOMOTOR
24	COUPLING
25	TRANSFORMER
26	TRANSFORMER BOX
27	FLAME DETECTOR
28	AIR SWITCH
29	AIR SWITCH ADAPTER
30	AIR SWITCH PURGER
31	HINGE ADDITIONAL SHEET
32	PURGER
33	AIR DAMPER MOUNTING PLATE
34	BEARING
35	AIR DAMPER - PLATE
36	AIR DAMPER-PLATE MOUNTING SHAFT(SHORT)
37	AIR DAMPER-PLATE MOUNTING SHAFT(LONG)
38	AIR DAMPER-PLATE MOTION ROD
39	COUPLING
40	SERVOMOTOR
41	BALL JOINT
42	PILOTIGNITION ELECTRODE
43	VALVE
44	PILOT IGNITION NOZZLE
45	KLINGRITE GASKET
46	VALVE
47	ACTUATOR
48	ACTUATOR
49	GAS SWITCH
50	GREY SOCKET
51	PANEL CONNECTION PLATE
52	ELECTRICAL PANEL

ECO 11000 HP



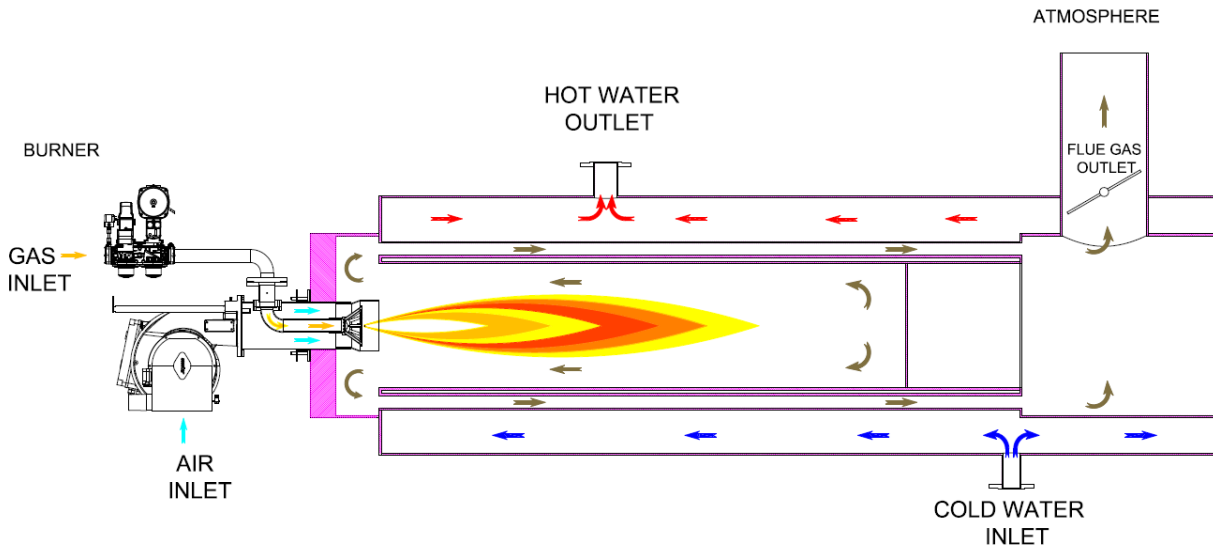
ASSEMBLY NO.	DESCRIPTION
1	BODY
2	AIR DAMPER MOUNTING FLANGE
3	AIR INLER CONE
4	MOTOR
5	FAN
6	FAN CONNECTION WASHER
7	OBSERVATION GLASS
8	OBSERVATION GLASS PLATE
9	SILENCER
10	SILENCER COVER
11	COMBUSTION HEAD
12	GASKET
13	GAS HEAD
14	GAS NOZZLE
15	TURBULATOR
16	FLAME PIPE
17	HINGE
18	KLINGRITE GASKET
19	GAS INLET PIPE
20	BUTTERFLY VALVE
21	SERVOMOTOR CONNECTION SHAFT
22	SERVOMOTOR CONNECTION SHEET
23	SERVOMOTOR
24	COUPLING
25	TRANSFORMER
26	TRANSFORMER BOX
27	FLAME DETECTOR
28	AIR SWITCH
29	AIR SWITCH ADAPTER
30	AIR SWITCH PURGER
31	HINGE ADDITIONAL SHEET
32	PURGER
33	AIR DAMPER MOUNTING PLATE
34	BEARING
35	AIR DAMPER - PLATE
36	AIR DAMPER-PLATE MOUNTING SHAFT(SHORT)
37	AIR DAMPER-PLATE MOUNTING SHAFT(LONG)
38	AIR DAMPER-PLATE MOTION ROD
39	COUPLING
40	SERVOMOTOR
41	BALL JOINT
42	PILOTIGNITION ELECTRODE
43	VALVE
44	PILOT IGNITION NOZZLE
45	KLINGRITE GASKET
46	VALVE
47	ACTUATOR
48	ACTUATOR
49	GAS SWITCH
50	GREY SOCKET
51	PANEL CONNECTION PLATE
52	ELECTRICAL PANEL

ECO 13000 HP



ASSEMBLY NO.	DESCRIPTION
1	BODY
2	BEARING
3	DAMPER MOVEMENT SHAFT LONG
4	DAMPER MOVEMENT SHAFT SHORT
5	SERVOMOTOR DAMPER MOVEMENT ARM
6	AIR DAMPER
7	GASKET
8	AIR CAGE
9	SILENCER
10	AIR SWITCH
11	AIR SWITCH ADAPTER
12	FUNNEL
13	MOTOR CONNECTION FLANGE
14	AIR SWITCH ADAPTER
15	OBSERVATION GLASS FRAME
16	PANEL CONNECTION SHEET
17	LABEL
18	GAS HEAD
19	HINGE SHEET
20	HINGE
21	FLAME PIPE
22	DAMPER MOVEMENT ARM SHORT
23	DAMPER MOVEMENT ARM LONG
24	COUPLIN
25	SERVOMOTOR CONNECTION PLATE
26	SERVOMOTOR
27	DAMPER SCALE SHEET
28	AIR DAMPER SCALE
29	BUTTERFLY VALVE
30	GASKET
31	FLANGE
32	LOCATION INDICATOR SHEET
33	SERVOMOTOR CONNECTION SHAFT
34	SERVOMOTOR CONNECTION SHEET
35	SERVOMOTOR
36	VALVE
37	REGULATOR
38	FUEL NOZZLE
39	TURBULATOR
40	TURBULATOR
41	LANCE CENTERING CONSOLE
42	LANCE CENTERING PIPE
43	LANCE CENTERING COVER
44	LANCE CENTERING SHEET
45	TURBULATOR CENTERING PART
46	TURBULATOR
47	ELECTRODE IGNITION
48	FAN
49	PAN LABEL
50	SHEET PANEL
51	PHOTOCELL
52	PHOTOCELL CONNECTION PLATE
53	PHOTOCELL CLAMP
54	MOTOR
55	COUPLIN

4. GAS, FLUE GAS AND HEATING WATER SCHEMA



5. TECHNICAL DATA

5.1. Capacity Table

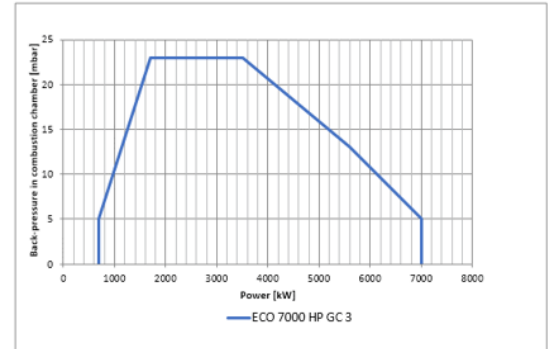
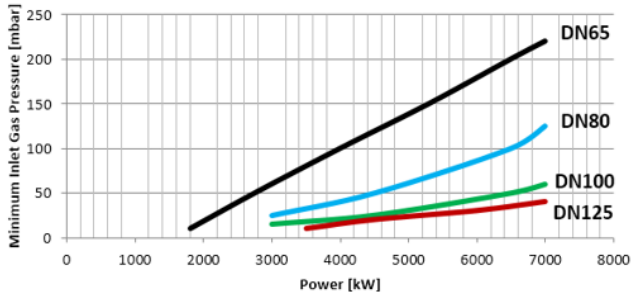
HIGH FAN PRESSURE MODULATING GAS BURNERS CAPACITY TABLE										
BURNER TYPE	CAPACITY		CAPACITY		NATURAL GAS CONSUMPTION		FAN MOTOR POWER	MAIN SUPPLY	GAS INLET DIAMETER	
	Min. kcal/h	Max. kcal/h	Min. kW	Max. kW	Min. Nm ³ /h	Max. Nm ³ /h	kW	VAC	Gas valve	Gas Inlet Diameter
ECO 7000 HP G C3	602.000	6.020.000	700	7.000	72,97	729,70	11	3N 400	VGD 40.065	DN65
									VGD 40.080	DN80
									VGD 40.100	DN100
									VGD 40.125	DN125
ECO 8000 HP G C3	688.000	6.880.000	800	8.000	83,39	833,94	15	3N 400	VGD 40.065	DN65
									VGD 40.080	DN80
									VGD 40.100	DN100
									VGD 40.125	DN125
ECO 9000 HP G C3	516.000	7.740.000	600	9.000	62,55	938,18	18,5	3N 400	VGD 40.065	DN65
									VGD 40.080	DN80
									VGD 40.100	DN100
									VGD 40.125	DN125
ECO 11000 HP G C3	774.000	9.460.000	900	11.000	93,82	1146,67	22	3N 400	VGD 40.065	DN65
									VGD 40.080	DN80
									VGD 40.100	DN100
									VGD 40.125	DN125
ECO 13000 HP G C3	1.548.000	11.180.000	1.800	13.000	188	1.355	37	3N 400	VGD 40.065	DN65
									VGD 40.080	DN80
									VGD 40.100	DN100
									VGD 40.125	DN125
ECO 16000 HP G C3	774.000	13.760.000	900	16.000	93,82	1667,88	37	3N 400	VGD 40.080	DN80
									VGD 40.100	DN100
									VGD 40.125	DN125
									VGD 40.150	DN150
ECO 17000 HP G C3	1.548.000	14.620.000	1.800	17.000	188	1.772	55	3N 400	VGD 40.080	DN80
									VGD 40.100	DN100
									VGD 40.125	DN125
									VGD 40.150	DN150
ECO 23000 HP G C3	774.000	19.780.000	900	23.000	94	2.398	45	3N 400	VGD 40.080	DN80
									VGD 40.100	DN100
									VGD 40.125	DN125
ECO 24000 HP G C3	1.548.000	20.640.000	1.800	24.000	188	2.502	75	3N 400	VGD 40.100	DN100
									VGD 40.125	DN125
									VGD 40.150	DN150

H_u Natural Gas =8250 kcal/Nm³

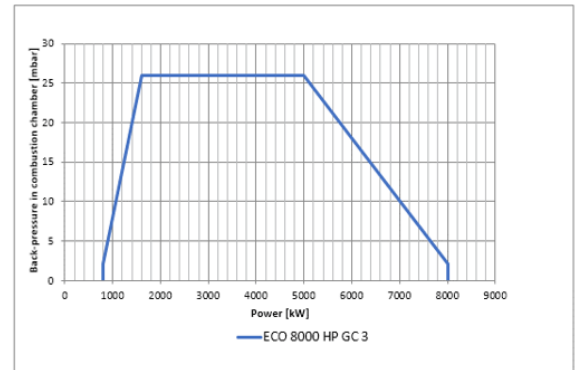
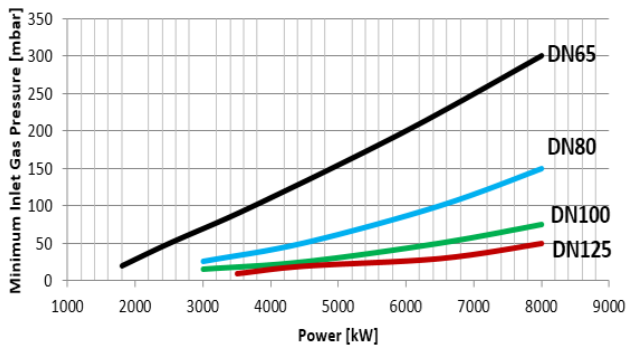
H_u LPG=22500 kcal/Nm³

5.2. Back Pressure and Gas Line Selection Table

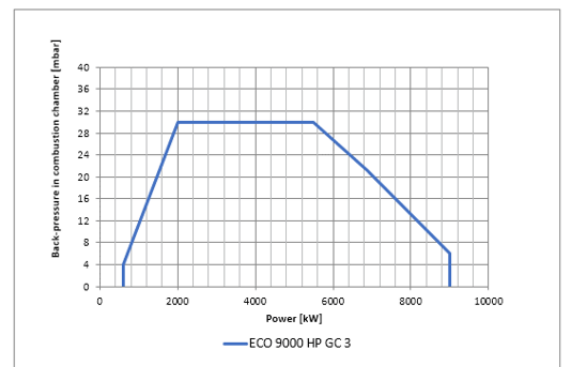
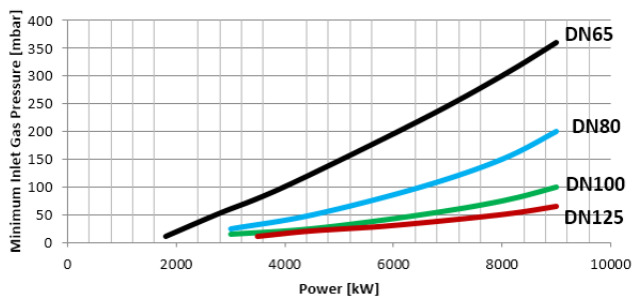
ECO 7000 HP G C3



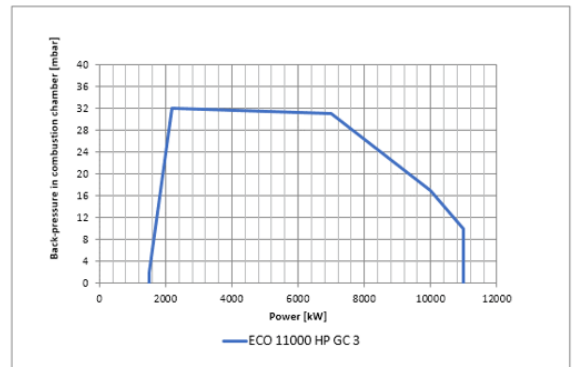
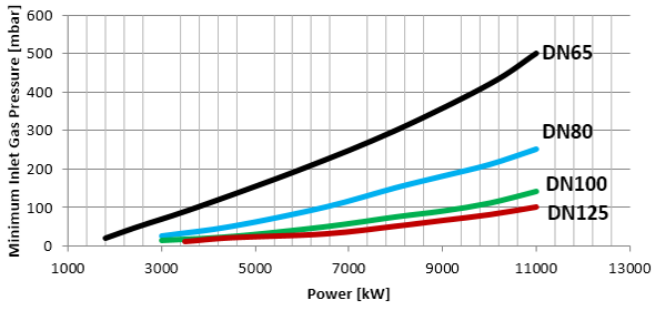
ECO 8000 HP G C3



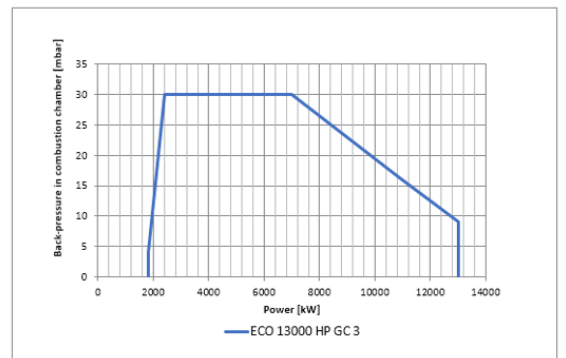
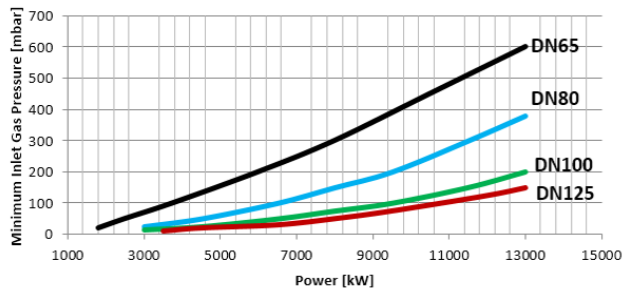
ECO 9000 HP G C3



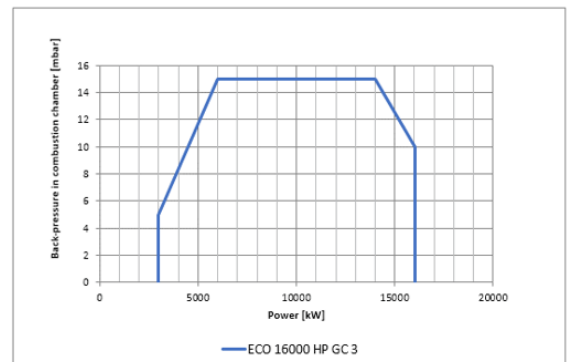
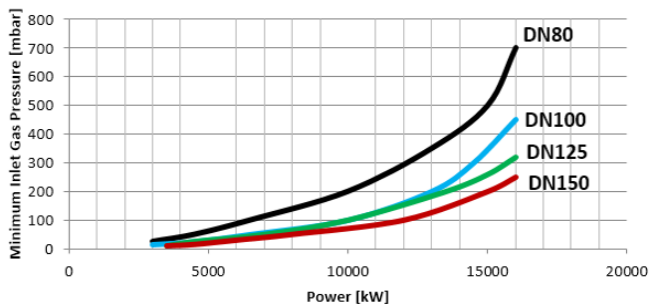
ECO 11000 HP G C3



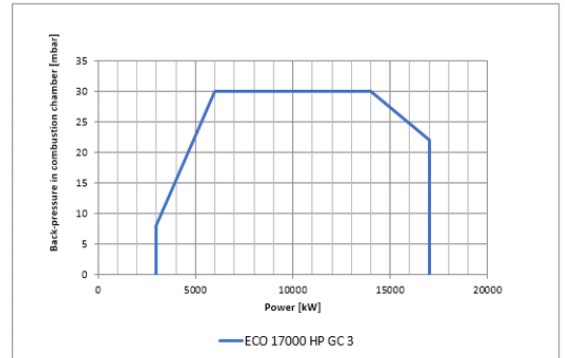
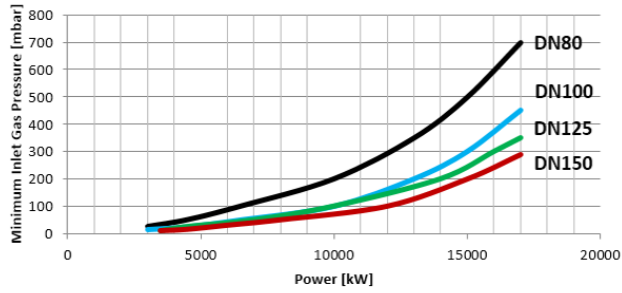
ECO 13000 HP G C3



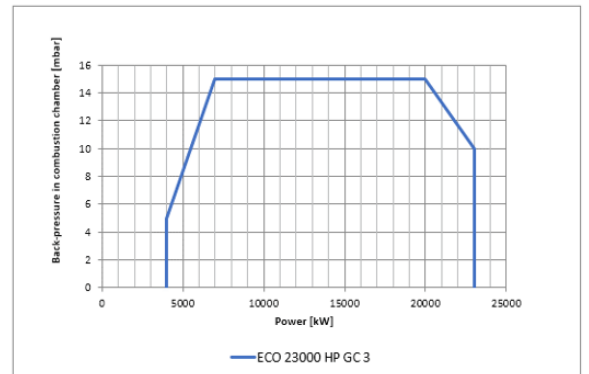
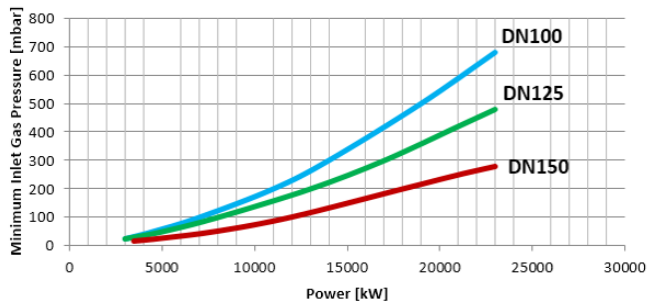
ECO 16000 HP G C3



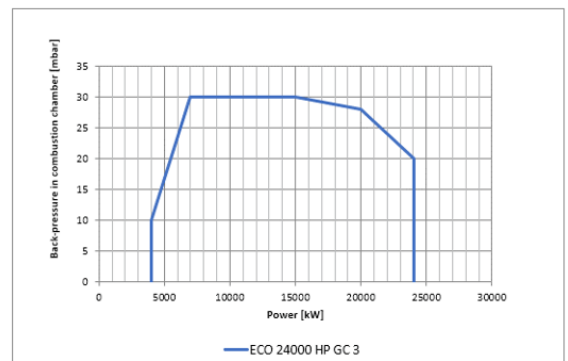
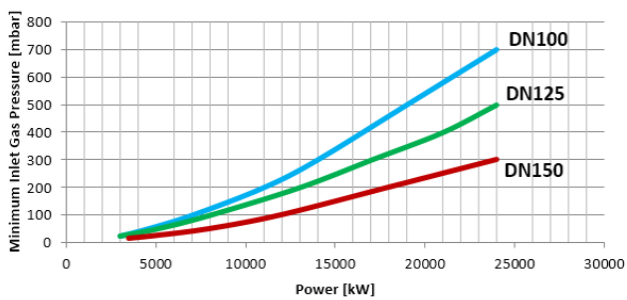
ECO 17000 HP G C3



ECO 23000 HP G C3

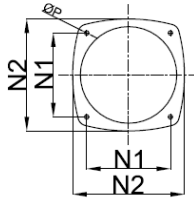


ECO 24000 HP G C3

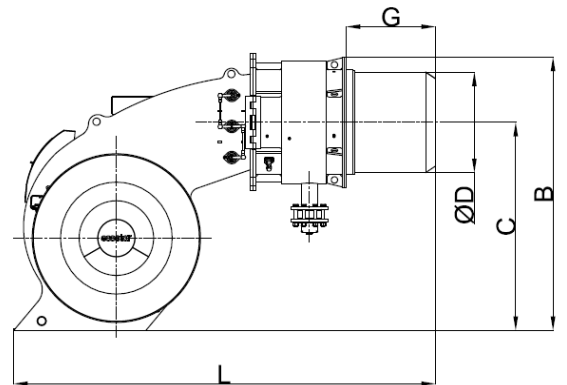
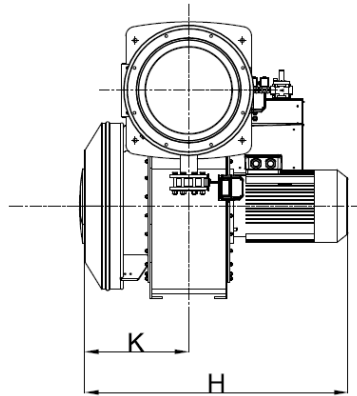
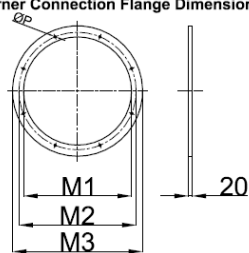


5.3. Burner Dimensions

**Eco 7000 HP GC3 - Eco 11000 HP GC3
Burner Connection Flange Dimensions**



**Eco 13000 HP GC3 - Eco 24000 HP GC3
Burner Connection Flange Dimensions**



	L	G	H	K	B	C	ØP	N1	N2	M1	M2	M3	ØD
ECO 7000 HP GC3	1935	475	1390	695	1180	920	M16	400	550	-	-	-	408
ECO 8000 HP GC3	1935	475	1390	695	1180	920	M16	400	550	-	-	-	408
ECO 9000 HP GC3	2045	475	1430	730	1370	1055	M22	450	600	-	-	-	508
ECO 11000 HP GC3	2045	475	1430	730	1370	1055	M22	450	600	-	-	-	508
ECO 13000 HP GC3	2290	475	1420	565	1465	1115	M12	-	-	580	630	700	540
ECO 16000 HP GC3	2635	475	1420	565	1750	1330	M12	-	-	740	792	860	670
ECO 17000 HP GC3	2635	475	1420	565	1750	1330	M12	-	-	740	792	860	670
ECO 23000 HP GC3	2635	475	1420	565	1750	1330	M12	-	-	740	792	860	700
ECO 24000 HP GC3	2635	475	1420	565	1750	1330	M12	-	-	740	792	860	700

5.4. Gas Hood Pressure Loss Diagram



Gas hood pressure loss measurements are conducted in atmospheric pressure. Consider the below data while conducting measurement in counter pressure boilers.

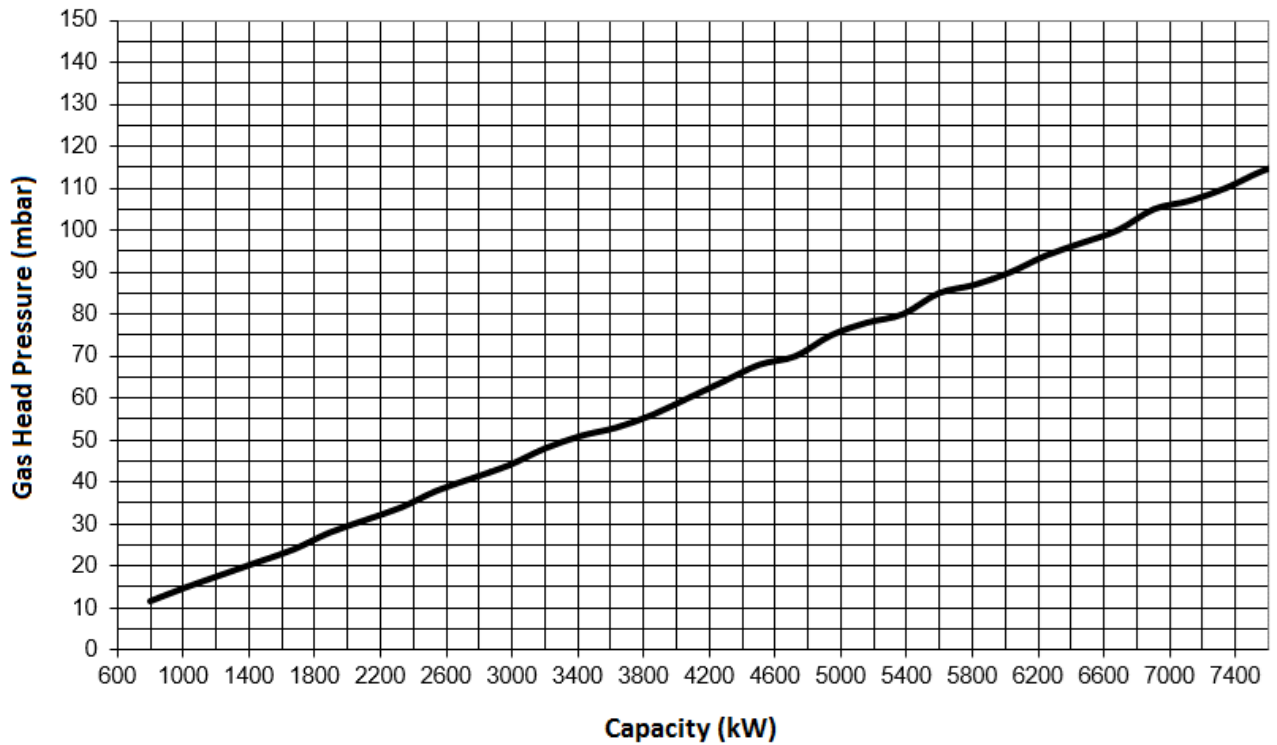
P_m : Gas hood pressure while burner is connected to the boiler and working

P_F : Combustion chamber pressure

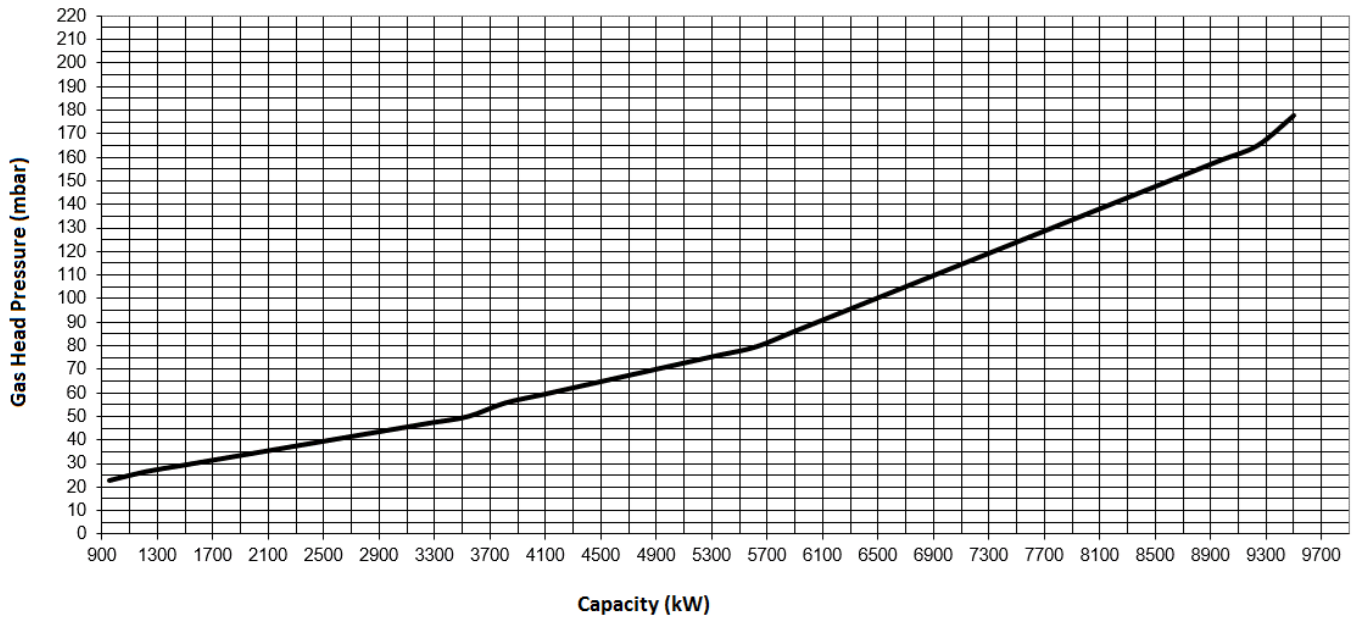
P_{Br} : Burner net gas hood pressure

$$P_{Br} = P_m - P_F$$

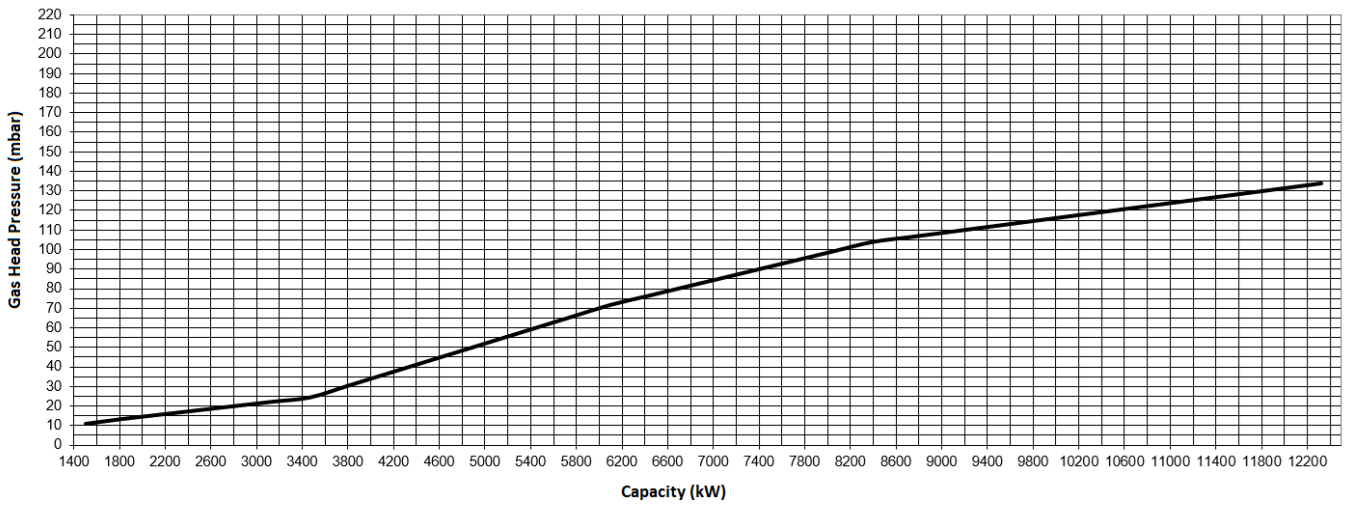
ECO 7000 HP



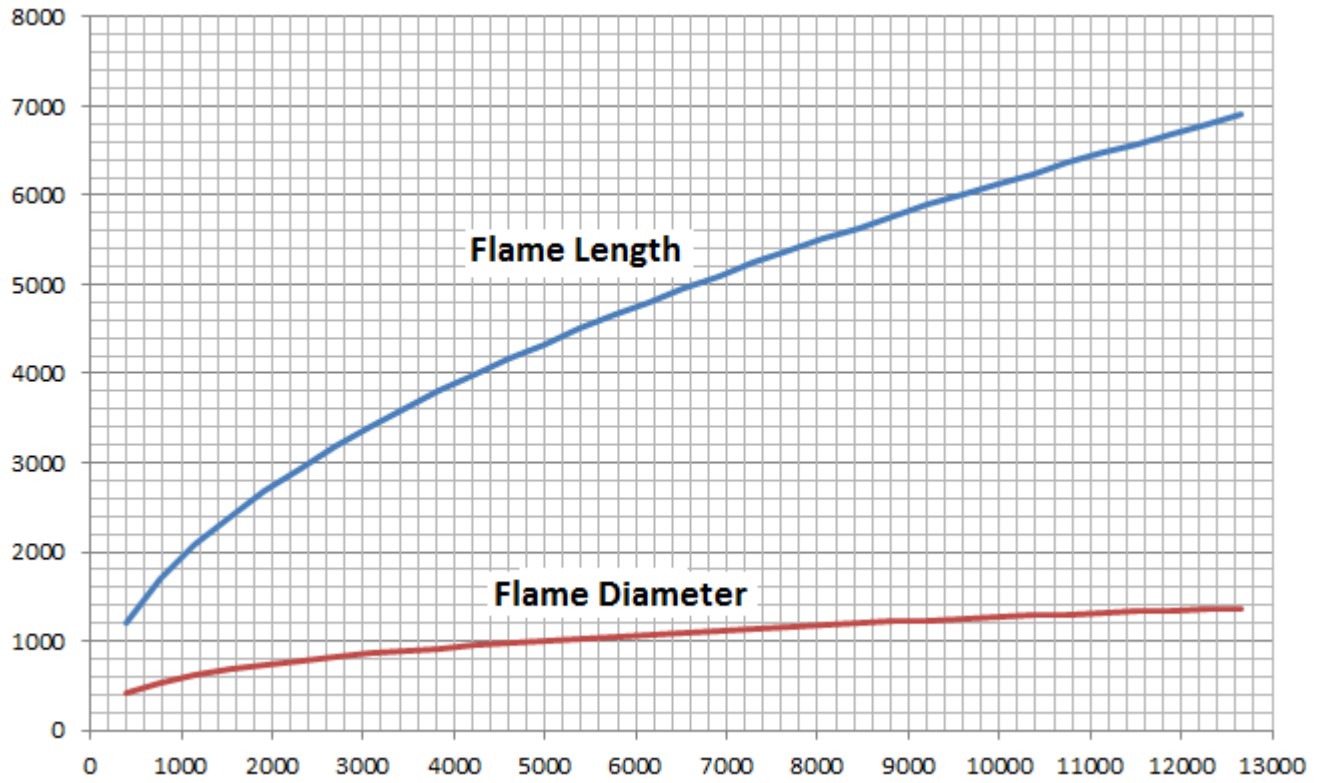
ECO 8000 HP/ECO 9000 HP



ECO 11000 HP

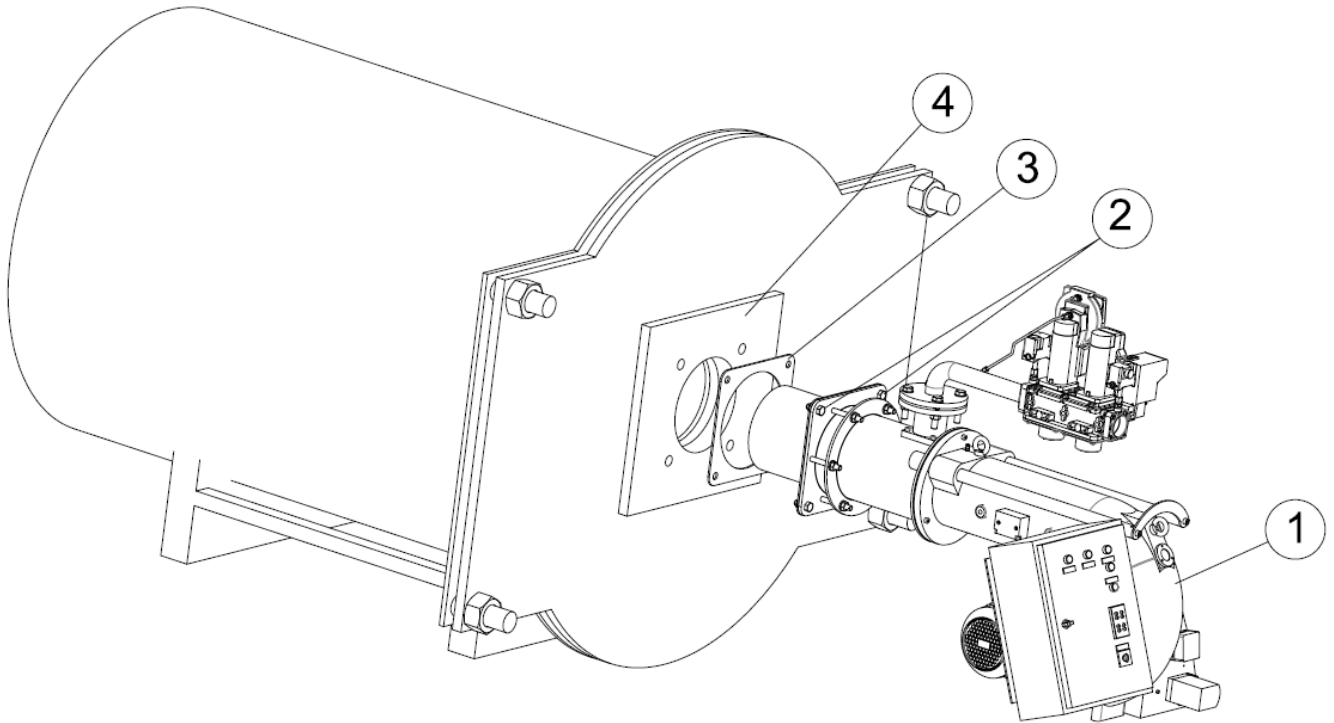


5.5. Flame Length and Diameter



6. INSTALLATION

6.1. Burner Installation Picture



- 1- Burner
- 2- Boiler Connection Flange
- 3- Gasket
- 4- Boiler Flange



You must definitely ensure sealing between boiler and burner!



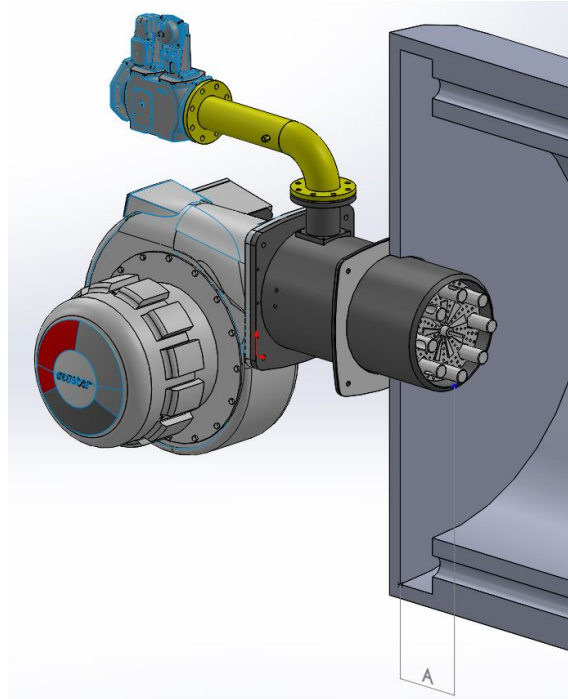
Device must be shipped in original packaging!



Do not lift the device holding from servomotor, gas valve, impulse pipes or pressure switch during installation!



Clean the inside of fuel line thoroughly before installing the burner to the fuel line. Any damage that may occur due to solid objects and metal particles from the fuel line shall not be covered by our company.



While installing the burner in reverse flame front mirror boilers, flame tube tip must be adjusted such that it gets inside by 50 mm-100 mm from flue pipes ($50\text{mm} \leq A \leq 100\text{mm}$). Otherwise flue gas temperature will rise and fuel consumption will increase.

7. COMMISSIONING

7.1. Before Commissioning



Electrical connection

Perform electrical connections according to the diagram provided with the burner. Follow general security rules during installation of electric wiring and making connections. Connect the earthing terminal in electric panel to the earthing installation.

7.2. General Controls



Make sure to perform the following controls before commissioning the burner.

- Are the electrical connections correct?
- Is there electricity current?
- Is there gas?
- Has the heating system been filled with water?
- Is the thermostat set at the required temperature?
- Has the boiler explosion lid been controlled?
- Is there sufficient air in boiler room (ventilation section $\text{cm}^2 = \text{boiler capacity kW} \times 7$)
- Has the boiler been installed correctly? Has the boiler cover been closed properly?
- Has the air of the gas line been removed? Has a sealing test been made?

Operation of a modulating burner

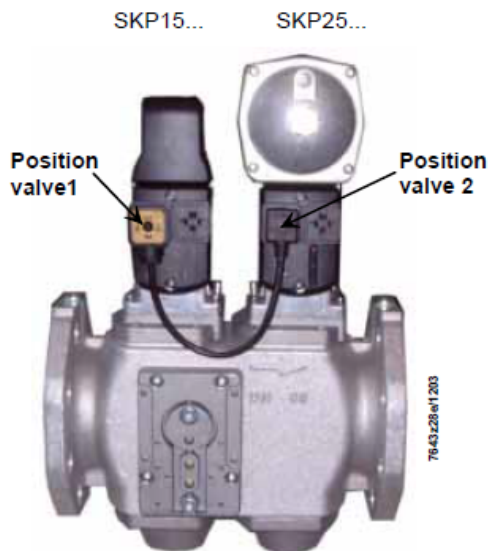
- Open the main gas valve; check max 300 mbar gas pressure from the manometer.
- Open operating switch on the burner panel.
- Switch on the modulating control switch.
- Switch automatic-hand switch to automatic.
- Check the temperature and pressure set values from the modulating control unit.
- Ignition will take place at the end of pre-purge process.
- 3 sec. later, the gas valve will be opened and combustion will occur.
- Flame control system (ionization) will start flame control.
- In modulating burner, the burner goes into max. capacity according to the signal from the modulating control unit.
- When the boiler water temperature or steam pressure increase, the modulating control unit will cause burner to run with min. capacity.
- If the boiler water temperature or steam pressure increases despite the operation of burner with min. capacity, the modulating control unit will stop the burner.

7.3. Combustion Adjustment

7.3.1. Gas Adjustment

Follow the instructions of the valve manufacturer during installation, dismantling and adjustment of the gas valve

7.3.1.1. VGD 40... Series Gas Valve



7.4. Air pressure switch adjustment

While the burner is working without any problem, the air pressure switch is adjusted to desired minimum pressure as follows.

- Unscrew the screw of the transparent cover and remove the cover.
- Turn the adjustment wheel in the direction to increase the pressure, note the pressure value at which the burner is failed.
- Set the pressure switch to a value 1 mbar lower than the pressure value at which the burner failed and close the pressure switch lid.
- It is recommended that this adjustment is carried out when the burner is at minimum load.

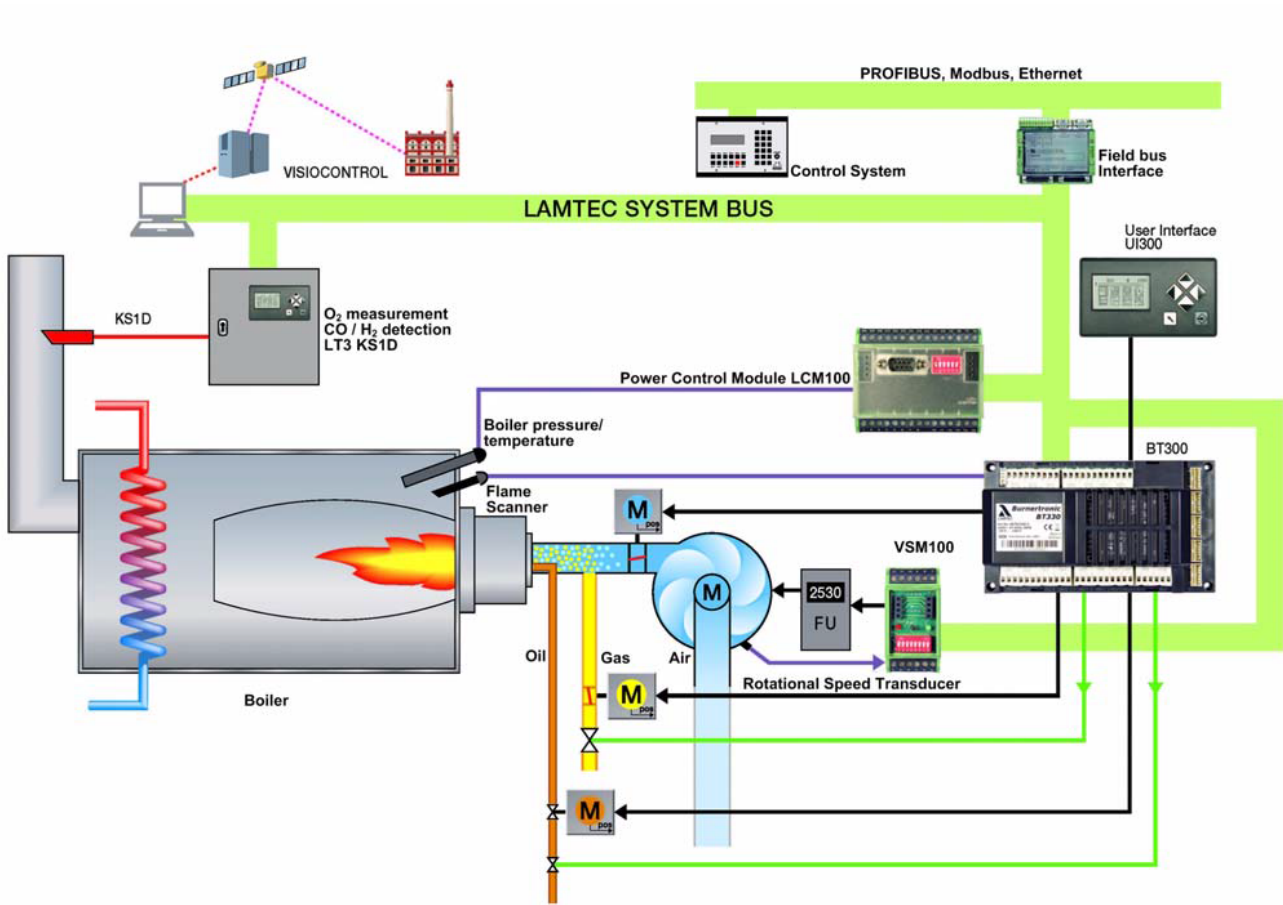


7.5. Photocell

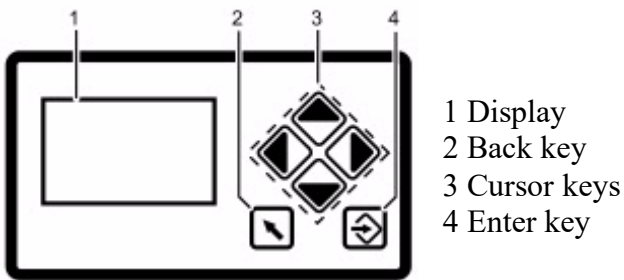
- QRA2



7.6. BT 300



7.6.1. Operating Control and Displays



Display: The display shows in pictograms:

- 1 - the menu structure
- 2 - operating status
- 3 - parameters
- 4 - error messages



Back key: Jump to previous window.



Cursor keys: You navigate in the menu using the cursor keys. You use the "left" and "right" keys to move step by step to the selected row. At the end of the selected row, the cursor jumps to the next row down, if possible. If the menu has multiple rows, you can use the "up" and "down" keys to switch rows. To display the parameters, switch between the individual fields.



Enter key: Press ENTER to call up the menu on the start screen. You open the selected submenu from a menu window. By pressing the ENTER key, you transfer the setting values from a parameter window.

7.6.2. Menu Functions

The menu is divided into three paths:



INFO



MANUAL



SETTINGS

INFO



Select the INFO path for information about the following:

- the burner
- errors that have occurred
- the software version
- display of check sums
- the serial number
- actuating drive positions (current damper position for each channel)
- digital inputs/outputs

MANUAL



Select the MANUAL to

- start and stop the burner manually
- adjust the internal burner firing-rate

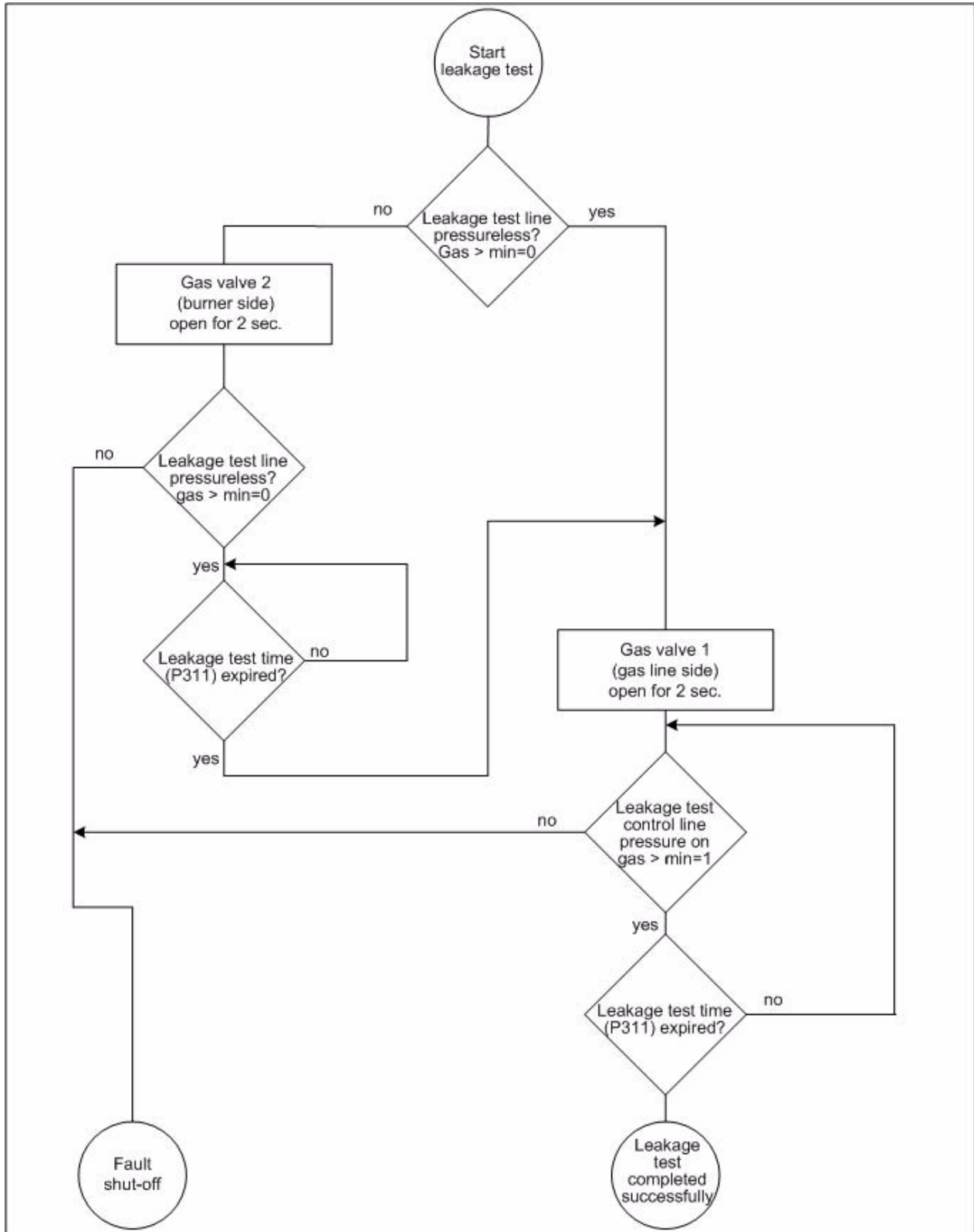
SETTINGS

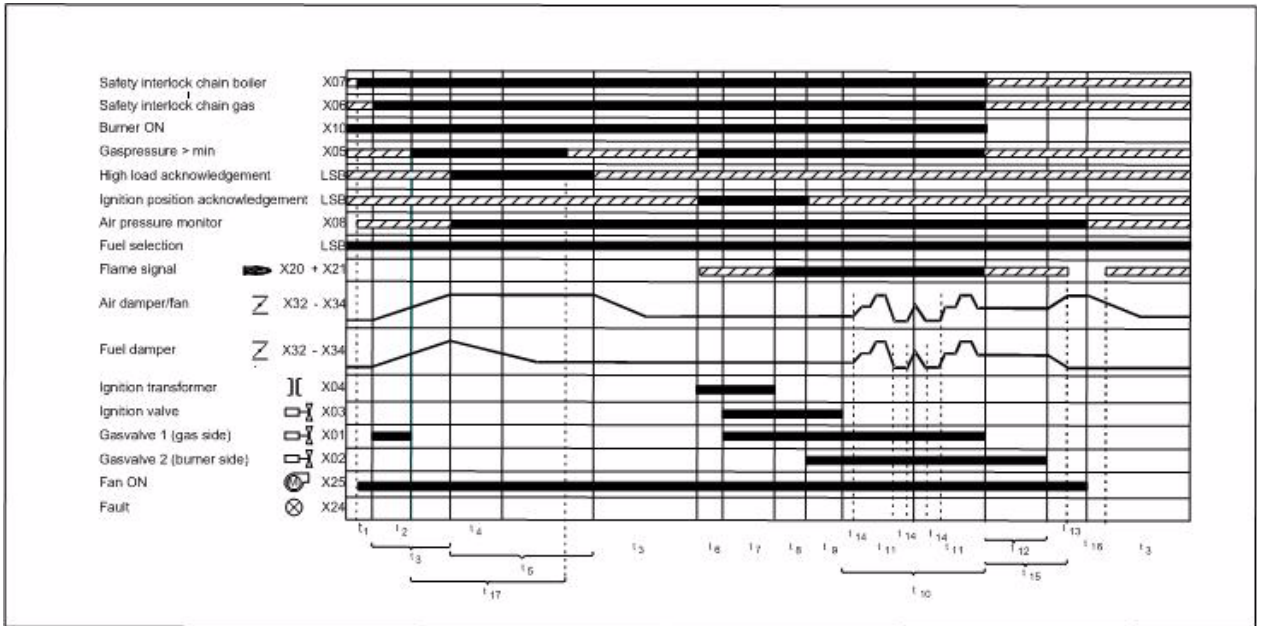


Select the SETTINGS path for information on, and to make settings for, the following:

- the password
- the burner settings (display and settings)
- the actuator device settings (display)
- the air/fuel control system
- the "delete" curve
- the display settings

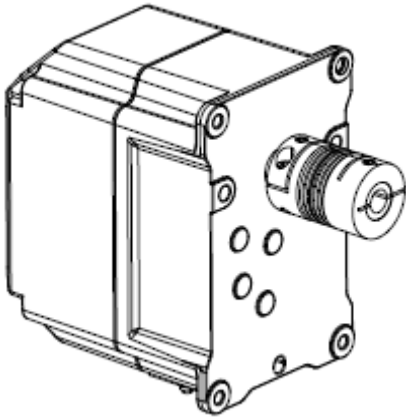
7.7. Leakage Test for Main Gas Valves





Gas with pilot burner and leakage test BT300

7.8. Servomotors



Lamtec motor ver. 2

Servomotors drive air dampers, gas butterfly valve and oil regulator. With the help of servomotors electronic air and fuel ratio control is carried out, controlled by burner control.



- Static electricity can damage servomotor.
- Do not open servomotor. Do not interfere with or modify unit or equipment connected to it. It may damage servomotor or change burner settings.
- Completely isolate equipment from the main supply before performing any wiring changes in servomotor connection area.
- Check that wiring is in an orderly state.
- Protect equipment from condensation, water and ice.
- Fall or shock can adversely affect safety functions. Such servomotors may not be put into operation.



Do not open servomotor. Do not interfere with. It may damage servomotor or change burner settings.

7.9. Function Controls and Adjustments

The BT300 combines the benefits of an electronic fuel-air ratio control system with up to three motorised actuating devices and an optional modules like an analogue output for speed control of the combustion air fan with an electronic burner control unit. The leakage test, flame monitoring system, power control unit and (optional) CO/O₂ controller for control and optimisation of an oil or gas-fired forced-draught burner are all integrated. The BT300 is suitable for virtually all combustion plants. Safety interlock chains, monitors (e.g. gas and air pressure) and sensors are wired directly to the BT300. This greatly reduces the cost of additional relays and wiring. The BT300 was designed to be attached to the burner. The short wiring paths also save money. As a result, the BT300 is particularly suitable as standard equipment for monoblock burners. The compact design of the BT300 burner control system also has its advantages during commissioning. Standardising the wiring and the unified operator interface minimises sources of errors from the start, while intelligent information in the display makes searching for errors much easier.

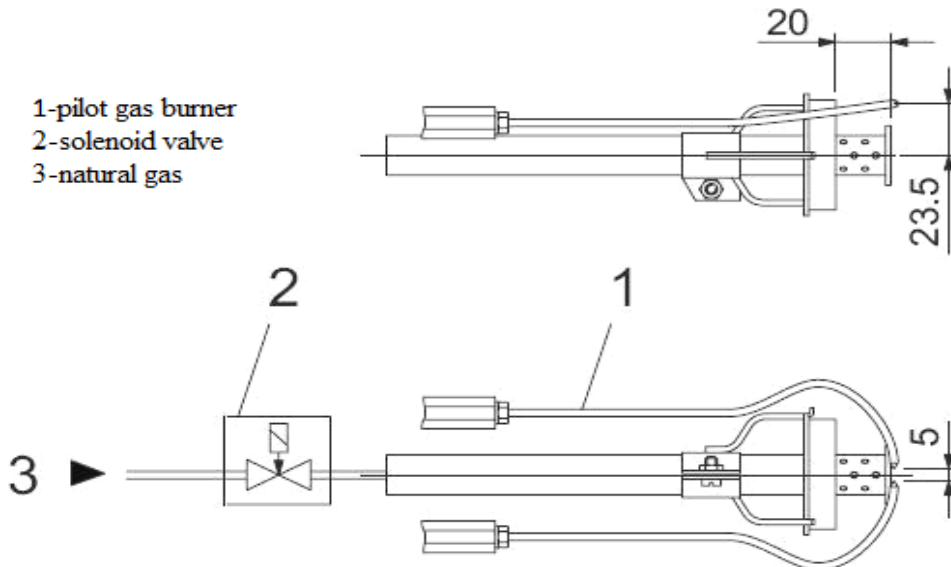


Magnetic valves must not be energized during pre-purge. Check if valves are in closed position!

7.10. Final Checks

- Switch of all purges after completion of all necessary measurements.
- Start and stop the burner at least 3 times to check the operation of the program.
- Make sure that all safety circuits on the burner and boiler operate properly before leaving the installation site.

7.11. Pilot Ignition System



Pilot gas burner inlet pressure $P_{max} = 200$ mbar

7.12. Emission Measurement

In emission measurements, the following values are accepted as reference according to TS EN 676 +A2 standard.

- $CO < 100$ mg/ kWh
- $\%3 \leq O_2 \leq \%5$
- $NO_x < 120$ mg/ kWh
- Excess air ratio $1,2 \leq \lambda \leq 1,3$

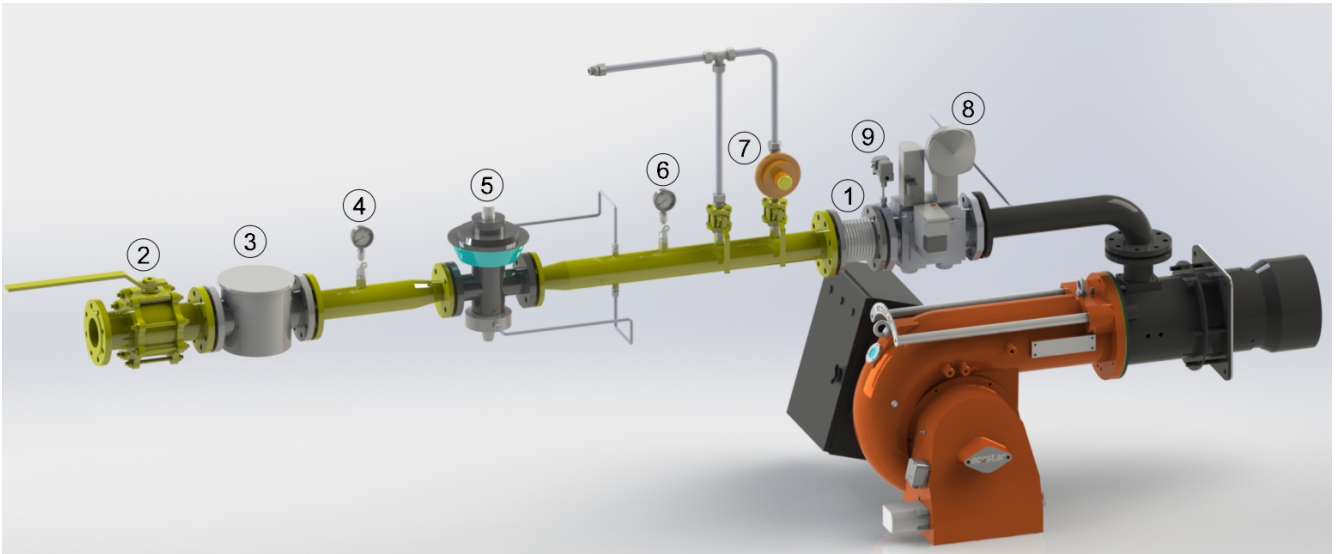


It is important for the boiler to be sealed in order to avoid incorrect measurements during emission measurements.



Boiler temperature must be between 40 C° and 80 C° while making emission measurement in hot water boilers.

7.13. Gas Pass Equipment Required in Gas Line



Pe < 300 mbar Q<1200kW	Pe > 300 mbar Q<1200kW	Pe < 300 mbar Q>1200kW	Pe > 300 mbar Q>1200kW
1- Compensator	1- Compensator	1- Compensator	1- Compensator
2- Ball valve	2- Ball valve	2- Ball valve	2- Ball valve
3- Gas filter	3- Gas filter	3- Gas filter	3- Gas filter
4- Inlet manometer + valve	4- Inlet manometer + valve	4- Inlet manometer + valve	4- Inlet manometer + valve
8 – Multi-block (safety and operation solenoids)	5- Regulator	8 – Multi-block (safety and operation solenoids))	5- Regulator
9- Sealing Control Set	6- Outlet manometer + valve	9- Sealing Control Set	6- Outlet manometer + valve
	7- Safety discharge valve		7- Safety discharge valve
	8 – Multi-block (safety and operation solenoids)		8 – Multi-block (safety and operation solenoids)
	9- Sealing Control Set		9- Sealing Control Set



Threaded and flanged connections may vary depending on the gas pressure and consumption.

8. MAINTENANCE

8.1. Monthly Maintenance

Monthly maintenance is a comprehensive process where general checks of burner and peripheral components are performed to prevent possible faults. After completion of maintenance and adjustment processes, make sure to perform an emission analysis.

- Clean the filters on the main line and multiblock.
- Check the burner gas tip.
- Perform insulation measurements of ignition and ionization electrodes, replace electrodes should there be leakage to the body.
- Check ignition cables and sockets.
- Check all wiring points. Tighten loose connections.
- Clean the dust and layers accumulated on the fan and air klappes.
- Check gas line pressure, it must be the same with the first adjusted pressure, otherwise burner load and emission values will also have changed.
- Check all bolts of the burner. Tighten loose bolts.
- After starting the burner and adjusting air klappe, perform flue gas emission measurement and check if there is an ideal combustion.

8.2. Seasonal Maintenance

Comprehensive maintenance work when the burner is re-started after long periods of shut-down or interruptions. After completion of maintenance and adjustment processes, make sure to perform a combustion analysis.

- Check insulation resistance of electric motor.
- Replace ignition and ionization electrodes with new ones.
- Clean air fan and clamps.
- Check the operating function.
- Check boiler thermostats.
- Check cleanliness of boiler inside and clean if necessary.



Follow installation directions during maintenance.

9. FAULT HISTORY

Reading fault situation from the control panel

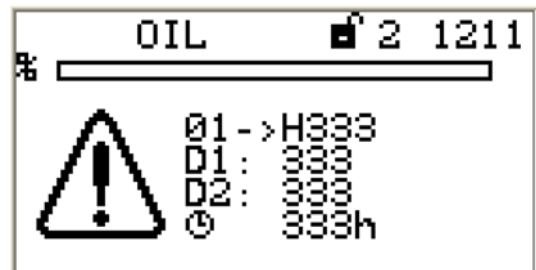
Active fault situation is shown on display. Enter-button is lit. Fault history can be read from the control panel.

See more precise fault codes in the brochure on burner control.

Resetting fault

Example

- 01: fault code H333
- D1: diagnostic code (additional information)
- D2: diagnostic code (additional information)
- clock: running hours counter in fault situation



Burner control can be reset immediately after lockout. After resetting the actuators drive to stand by position. In stand by position control unit allows burner to restart.

11. AFTER-SALES SERVICES

Dear Customer,

We believe that providing a good service is as important as providing a good product. Therefore, we continue offering wide range of comprehensive services to our conscious customers.

For your suggestions, complaints and service requests

Esentepe Mah.Milangaz Cad. No:75 K:3

Kartal Monumento Plaza

KARTAL/İSTANBUL/TÜRKİYE

Tel: 444 8 326

Fax: +90 216 370 45 03

Factory Contact Details

Türkgücü OSB

Bülent Ecevit Bulvarı No:11

ÇORLU/TEKİRDAĞ/TÜRKİYE

Tel: +90 282 685 44 80-81

Fax: +90 282 685 42 09

Also you can contact with us:

Web site : www.ecostar.com.tr

E - mail : servis@ecostar.com.tr



Please observe the following recommendations.

- Use the product in accordance with the principles of this manual.
- For any service demands regarding the product, please contact our Service Center from the abovementioned phone numbers.
- Upon your purchase, register your warranty certificate during installation.

